

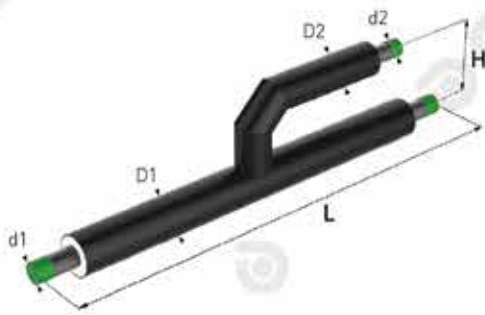
PARALLEL TEE BRANCHES



SERIES 1

BRANCH PIPE	MAIN PIPE										
	d1	D1	d2	20	25	32	40	50	65	80	100
			D2	90	90	110	110	125	140	160	200
20	90	H									
25	90	H			270						
32	110	H			280	285					
40	110	H			280	285	285				
50	125	H			285	295	295	310			
65	140	H			265	270	270	315	335		
80	160	H			290	290	290	330	350	380	
100	200	H			305	310	310	345	365	395	350
125	225	H			320	325	325	355	375	410	370
150	250	H			340	335	335	370	390	425	390
200	315	H			365	375	375	395	415	450	425
250	400	H			420	425	425	435	445	475	470
300	450	H			445	450	450	560	470	500	500
350	500	H			475	480	480	490	500	520	530
400	560	H									
450	630	H									
500	710	H									
600	800	H									

*All dimensions shown in the table are mm



PARALLEL TEE BRANCHES



SERIES 1

BRANCH PIPE	MAIN PIPE											L
	125	150	200	250	300	350	400	450	500	600		
	225	250	315	400	450	500	560	630	710	800		
d1	D1											
20	125											900
25	125											
32	140											
40	140											
50	160											1000
65	180											
80	200											1100
100	250											
125	280	385										1200
150	315	395	410									
200	400	430	445	485								1400
250	500	500	520	560	595							
300	560	515	525	580	620	710						1500
350	630	545	560	600	640	730	810					
400	710		600	630	680	710	840	915				1600
450	800		635	670	720	745	860	960	1030			
500	900			720	770	790	890	970	1060	1150		1900
600	1000				820	840	940	1020	1110	1200	1350	

*All dimensions shown in the table are mm