

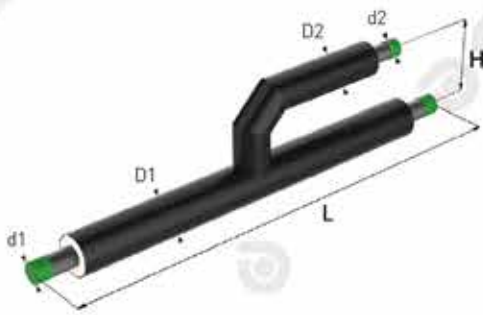
## PARALLEL TEE BRANCHES



### SERIES 3

BRANCH PIPE	MAIN PIPE										
	d1	D1	d2	20	25	32	40	50	65	80	100
			D2	125	125	125	140	160	180	200	250
20	125	H									
25	125	H			310						
32	140	H			320	325					
40	140	H			320	325	325				
50	160	H			325	335	335	350			
65	180	H			305	310	310	355	375		
80	200	H			340	330	330	370	390	420	
100	250	H			345	350	350	385	405	435	390
125	280	H			360	365	365	395	415	450	410
150	315	H			380	375	375	410	440	465	430
200	400	H			405	415	415	435	455	490	465
250	500	H			460	465	465	475	485	515	510
300	560	H			485	490	490	600	510	540	540
350	630	H			515	520	520	530	540	560	570
400	710	H									
450	800	H									
500	900	H									
600	1000	H									

\*All dimensions shown in the table are mm



## PARALLEL TEE BRANCHES



### SERIES 3

BRANCH PIPE		125	150	200	250	300	350	400	450	500	600	L
		280	315	400	500	560	630	710	800	900	1000	
MAIN PIPE												
d1	D1											
20	125											
25	125											
32	140											900
40	140											
50	160											
65	180											
80	200											1000
100	250											
125	280	425										1100
150	315	435	450									
200	400	470	485	525								1200
250	500	540	560	600	635							1400
300	560	555	565	620	660	750						
350	630	585	600	640	680	770	850					1500
400	710		660	700	750	780	840	915				1600
450	800		710	750	800	830	860	960	1050			1800
500	900			800	850	880	890	970	1060	1150		1900
600	1000				900	930	940	1020	1110	1200	1350	2000

\*All dimensions shown in the table are mm