

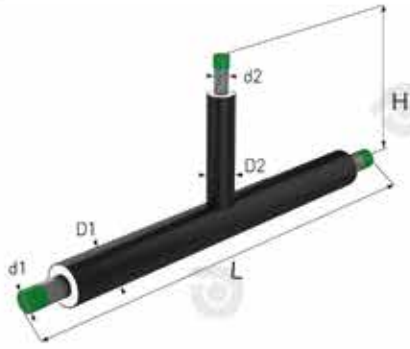
STRAIGHT TEE BRANCHES



SERIES 1

BRANCH PIPE	MAIN PIPE										
	d1	D1	d2	20	25	32	40	50	65	80	100
			D2	90	90	110	110	125	140	160	200
20	90	H	500								
25	90	H	500	500							
32	110	H	500	500	500						
40	110	H	500	500	500	500					
50	125	H	500	500	500	500	500				
65	140	H	500	500	500	500	500	500			
80	160	H	500	500	500	500	500	500	500		
100	200	H	600	600	600	600	600	600	600	600	
125	225	H	600	600	600	600	600	600	600	600	600
150	250	H	600	600	600	600	600	600	600	600	600
200	315	H	600	600	600	600	600	600	600	600	600
250	400	H	700	700	700	700	700	700	700	700	700
300	450	H	800	800	800	800	800	800	800	800	800
350	500	H	800	800	800	800	800	800	800	800	800
400	560	H	800	800	800	800	800	800	800	800	800
450	630	H	900	900	900	900	900	900	900	900	900
500	710	H	1000	1000	1000	1000	1000	1000	1000	1000	1000
600	800	H	1000	1000	1000	1000	1000	1000	1000	1000	1000

*All dimensions shown in the table are mm



STRAIGHT TEE BRANCHES



SERIES 1

BRANCH PIPE												L
	125	150	200	250	300	350	400	450	500	600		
MAIN PIPE	225	250	315	400	450	500	560	630	710	800		
d1	D1											
20	90											900
25	90											
32	110											
40	110											
50	125											
65	140											1000
80	160											
100	200											1100
125	225	600										
150	250	600	600									
200	315	600	600	600								1200
250	400	700	700	700	700							
300	450	800	800	800	800	800						1500
350	500	800	800	800	800	800	800					
400	560	800	800	800	800	800	800	800				1600
450	630	900	900	900	900	900	900	900	900	900		
500	710	1000	1000	1000	1000	1000	1000	1000	1000	1000	1000	1900
600	800	1000	1000	1000	1000	1000	1000	1000	1000	1000	1000	
		1000	1000	1000	1000	1000	1000	1000	1000	1000	1000	2000

*All dimensions shown in the table are mm