

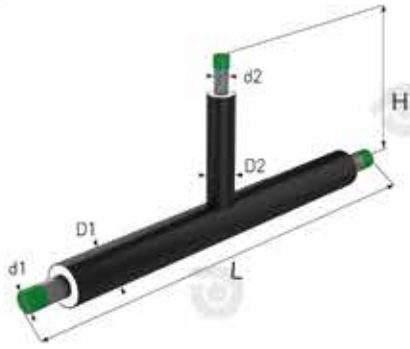
STRAIGHT TEE BRANCHES



SERIES 2

BRANCH PIPE	MAIN PIPE										
	d1	D1	d2	20	25	32	40	50	65	80	100
			D2	110	110	125	125	140	160	180	225
20	110	H	500								
25	110	H	500	500							
32	125	H	500	500	500						
40	125	H	500	500	500	500					
50	140	H	500	500	500	500	500				
65	160	H	500	500	500	500	500	500			
80	180	H	600	600	600	600	600	600	600		
100	225	H	600	600	600	600	600	600	600	600	
125	250	H	600	600	600	600	600	600	600	600	600
150	280	H	600	600	600	600	600	600	600	600	600
200	355	H	700	700	700	700	700	700	700	700	700
250	450	H	800	800	800	800	800	800	800	800	800
300	500	H	800	800	800	800	800	800	800	800	800
350	560	H	800	800	800	800	800	800	800	800	800
400	560	H	900	900	900	900	900	900	900	900	900
450	630	H	1000	1000	1000	1000	1000	1000	1000	1000	1000
500	710	H	1000	1000	1000	1000	1000	1000	1000	1000	1000
600	800	H	1100	1100	1100	1100	1100	1100	1100	1100	1100

*All dimensions shown in the table are mm



STRAIGHT TEE BRANCHES



SERIES 2

BRANCH PIPE	MAIN PIPE											L	
	125	150	200	250	300	350	400	450	500	600			
d1	D1												
20	90												900
25	90												900
32	110												900
40	110												900
50	125												900
65	140												900
80	160												1000
100	200												1000
125	225	600											1100
150	250	600	600										1100
200	315	700	700	700									1200
250	400	800	800	800	800								1400
300	450	800	800	800	800	800							1500
350	500	800	800	800	800	800	800						1500
400	560	900	900	900	900	900	900	900					1600
450	630	1000	1000	1000	1000	1000	1000	1000	1000				1800
500	710	1000	1000	1000	1000	1000	1000	1000	1000	1000			1900
600	800	1100	1100	1100	1100	1100	1100	1100	1100	1100	1100	1100	2000

*All dimensions shown in the table are mm