

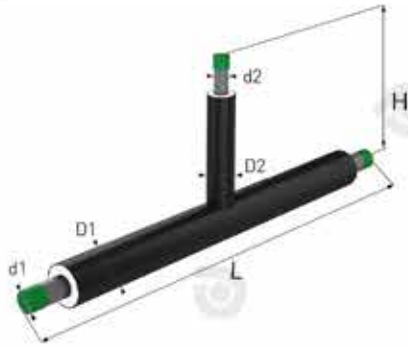
## STRAIGHT TEE BRANCHES



### SERIES 3

BRANCH PIPE	MAIN PIPE										
	d1	D1	d2	20	25	32	40	50	65	80	100
			D2	125	125	140	140	160	180	200	250
20	125	H	500								
25	125	H	500	500							
32	140	H	500	500	500						
40	140	H	500	500	500	500					
50	160	H	500	500	500	500	500				
65	180	H	500	500	500	500	500	500			
80	200	H	600	600	600	600	600	600	600		
100	250	H	600	600	600	600	600	600	600	600	
125	280	H	600	600	600	600	600	600	600	600	600
150	315	H	600	600	600	600	600	600	600	600	600
200	400	H	700	700	700	700	700	700	700	700	700
250	500	H	800	800	800	800	800	800	800	800	800
300	560	H	800	800	800	800	800	800	800	800	800
350	630	H	800	800	800	800	800	800	800	800	800
400	560	H	900	900	900	900	900	900	900	900	900
450	630	H	1000	1000	1000	1000	1000	1000	1000	1000	1000
500	710	H	1000	1000	1000	1000	1000	1000	1000	1000	1000
600	800	H	1100	1100	1100	1100	1100	1100	1100	1100	1100

\*All dimensions shown in the table are mm



## STRAIGHT TEE BRANCHES



### SERIES 3

BRANCH PIPE		125	150	200	250	300	350	400	450	500	600	L	
		280	315	400	500	560	630	710	800	900	1000		
MAIN PIPE													
d1	D1												
20	125											900	
25	125												
32	140												
40	140												
50	160											1000	
65	180												
80	200											1100	
100	250												
125	280	600										1200	
150	315	600	600										
200	400	700	700	700								1400	
250	500	800	800	800	800								
300	560	800	800	800	800	800						1500	
350	630	800	800	800	800	800	800						
400	560	900	900	900	900	900	900	900				1600	
450	630	1000	1000	1000	1000	1000	1000	1000	1000				
500	710	1000	1000	1000	1000	1000	1000	1000	1000	1000		1800	
500	710	1000	1000	1000	1000	1000	1000	1000	1000	1000	1000		
600	800	1100	1100	1100	1100	1100	1100	1100	1100	1100	1100	1100	2000

\*All dimensions shown in the table are mm